

**Modular Cooking Range Line
 700XP Freestanding Gas Boiling Pan
 60lt indirect heat with auto refill (60HZ)**

ITEM # _____

MODEL # _____

NAME # _____

SIS # _____

AIA # _____



371275 (E7BSGHIN4x)

60-lt indirect gas Boiling Pan
 with automatic double-
 jacket refilling

Short Form Specification

Item No. _____

To be installed on height adjustable feet in stainless steel. Suitable for natural gas or LPG. Robust burners in stainless steel with flame failure device and protected pilot light. Temperature is controlled by a power regulator; heating elements with temperature limiter. Automatic refilling of well. Exterior panels in stainless steel with Scotch Brite finish. One piece pressed work top in 1.5 mm thick stainless steel. Right-angled side edges to allow flush-fitting junction between units.

Main Features

- Sides of vessel with satin finishing for easy cleaning.
- Minimum load for correct functioning is 20 liters.

Construction

- The tanks are welded in two parts, the side band is in AISI 304, bottom is in ASI 316L, lids are in AISI 304.

Optional Accessories

- Junction sealing kit PNC 206086
- Draught diverter, 150 mm diameter PNC 206132
- Matching ring for flue condenser, 150 mm diameter PNC 206133
- Kit 4 wheels - 2 swivelling with brake - it is mandatory to install Base support and wheels PNC 206135
- Flanged feet kit PNC 206136
- Frontal kicking strip for concrete installation, 400mm PNC 206147
- Frontal kicking strip for concrete installation, 800mm PNC 206148
- Frontal kicking strip for concrete installation, 1000mm PNC 206150
- Frontal kicking strip for concrete installation, 1200mm PNC 206151
- Frontal kicking strip for concrete installation, 1600mm PNC 206152
- Frontal kicking strip, 800mm (not for refr-freezer base) PNC 206176
- Frontal kicking strip, 1000mm (not for refr-freezer base) PNC 206177
- Frontal kicking strip, 1200mm (not for refr-freezer base) PNC 206178
- Frontal kicking strip, 1600mm (not for refr-freezer base) PNC 206179
- Kit 4 feet for concrete installation (not for 900 line free standing grill) PNC 206210
- Flue condenser for 1 module, 150 mm diameter PNC 206246
- Pair of side kicking strips PNC 206249
- Pair of side kicking strips for concrete installation PNC 206265
- Right and left side handrails PNC 206307
- Back handrail 800 mm PNC 206308
- Base support for feet or wheels - 400mm (700/900) PNC 206366
- Base support for feet or wheels - 800mm (700/900) PNC 206367
- Base support for feet or wheels - 1200mm (700/900) PNC 206368
- Base support for feet or wheels - 1600mm (700/900) PNC 206369
- Base support for feet or wheels - 2000mm (700/900) PNC 206370
- Rear paneling - 800mm (700/900) PNC 206374

APPROVAL: _____



Electrolux
PROFESSIONAL

**Modular Cooking Range Line
700XP Freestanding Gas Boiling Pan
60lt indirect heat with auto refill (60HZ)**

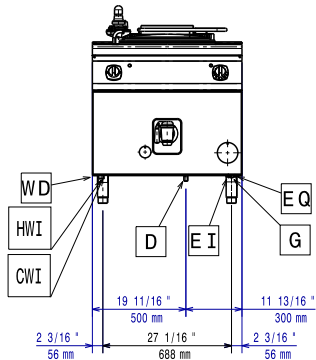
- Rear paneling - 1000mm (700/900) PNC 206375
- Rear paneling - 1200mm (700/900) PNC 206376
- 2 side covering panels for free standing appliances PNC 216000
- Frontal handrail, 800mm PNC 216047
- Frontal handrail, 1200mm PNC 216049
- Large handrail - portioning shelf, 800mm PNC 216186
- 1-section noodle basket for 60lt boiling pans PNC 921626
- Trolley with lifting & removable tank PNC 922403
- Pressure regulator for gas units PNC 927225



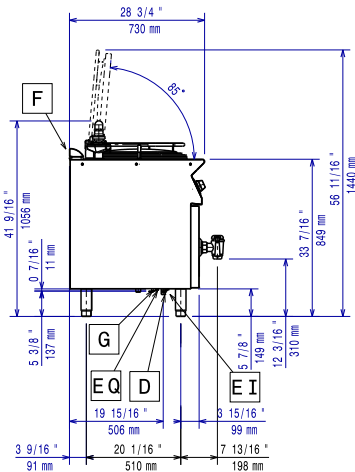
**Modular Cooking Range Line
700XP Freestanding Gas Boiling Pan 60lt indirect heat with auto refill
(60HZ)**
The company reserves the right to make modifications to the products
without prior notice. All information correct at time of printing.

2025.05.12

Front

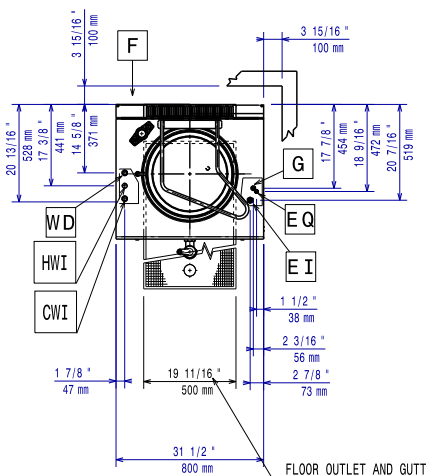


Side



- CWI1 = Cold Water inlet 1 (cleaning) HWI = Hot water inlet
 D = Drain
 EI = Electrical inlet (power)
 G = Gas connection

Top



Electric

Supply voltage: 230 V/1N ph/60 Hz
Total Watts: 0.1 kW

Gas

Gas Power: 14 kW
Standard gas delivery: Natural Gas G20 (20mbar)
Gas Type Option: LPG
Gas Inlet: 1/2"

Water:

Water drain outlet size: 1 1/2"

Key Information:

No clearance needed on rear sides of unit if wall is of non combustible type. If wall is combustible, minimum 50 mm wall clearance should be maintained.

Pan useful capacity: 60 lt
Vessel (round) diameter: 420 mm
Net weight: 100 kg
Shipping weight: 115 kg
Shipping height: 1140 mm
Shipping width: 900 mm
Shipping depth: 920 mm
Shipping volume: 0.94 m³
Certification group: N7PG